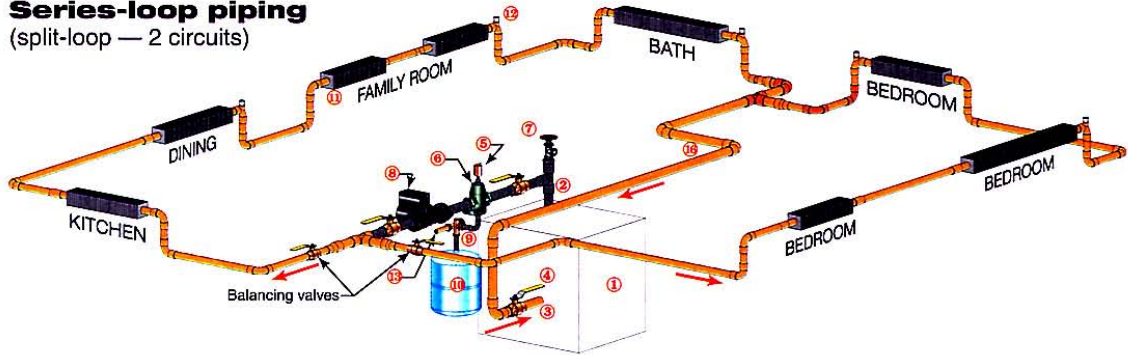


Sample page from GAMA Guide 2000 . Please note that this is a scanned page and therefore does not show the true image quality in the publication. This page is also copyrighted.

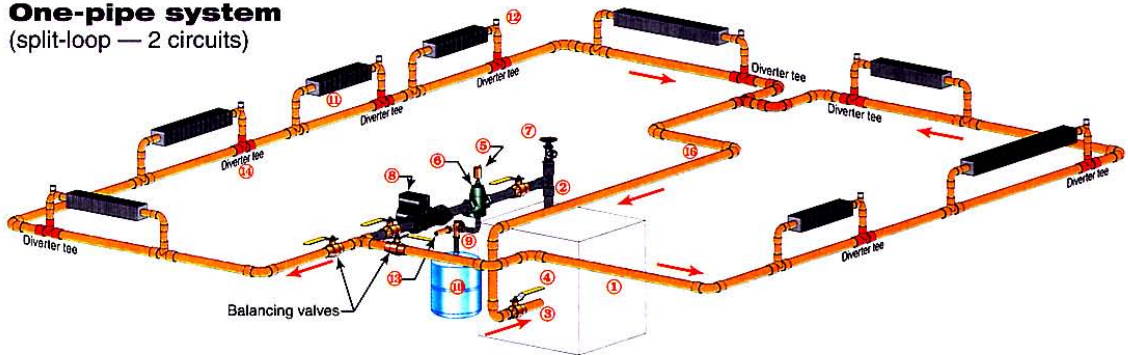
- Selecting the right system

**Figure 2** Variations of Figure 1 piping systems

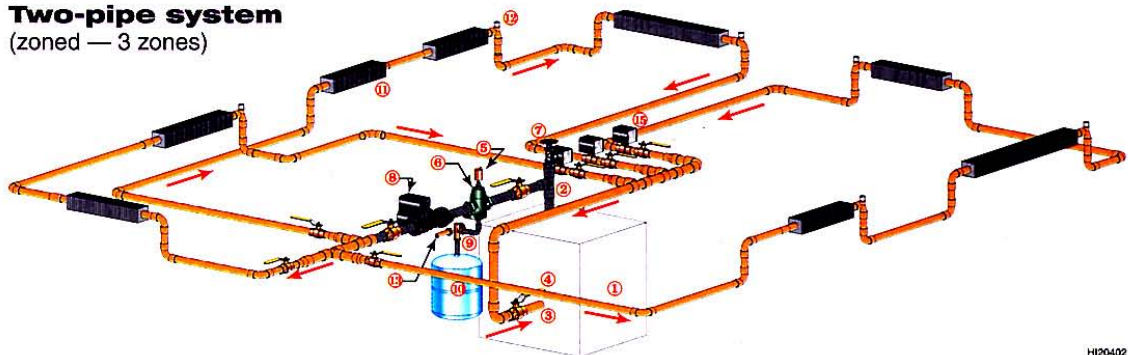
**Series-loop piping**  
(split-loop — 2 circuits)



**One-pipe system**  
(split-loop — 2 circuits)



**Two-pipe system**  
(zoned — 3 zones)



H120402

- |                                        |                               |                                     |                                     |
|----------------------------------------|-------------------------------|-------------------------------------|-------------------------------------|
| ① Hot water boiler                     | ⑤ Automatic air vent, typical | ⑩ Fill valve, typical               | ⑬ To fresh water make-up line       |
| ② Boiler outlet (hot water supply)     | ⑥ Air separator, typical      | ⑪ Diaphragm expansion tank, typical | ⑭ Diverter tees (one-pipe fittings) |
| ③ Boiler inlet (water return)          | ⑦ Hose bibb purge valve       | ⑫ Heating units, baseboard typical  | ⑮ Zone valves                       |
| ④ Isolation valves (handle shows flow) | ⑧ Circulator, typical         | ⑬ Manual air vents                  | ⑯ Common return (trunk line)        |